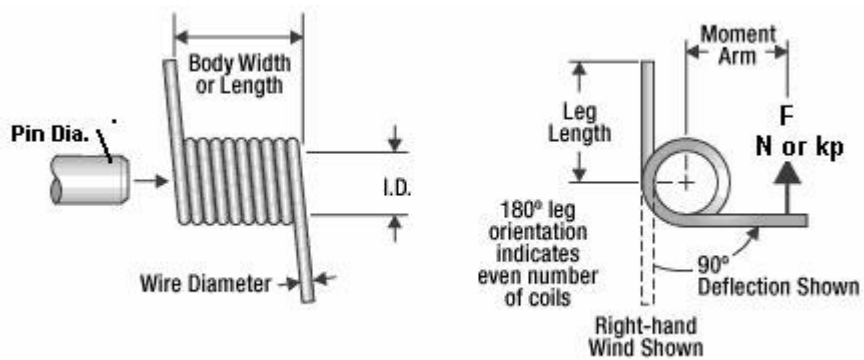
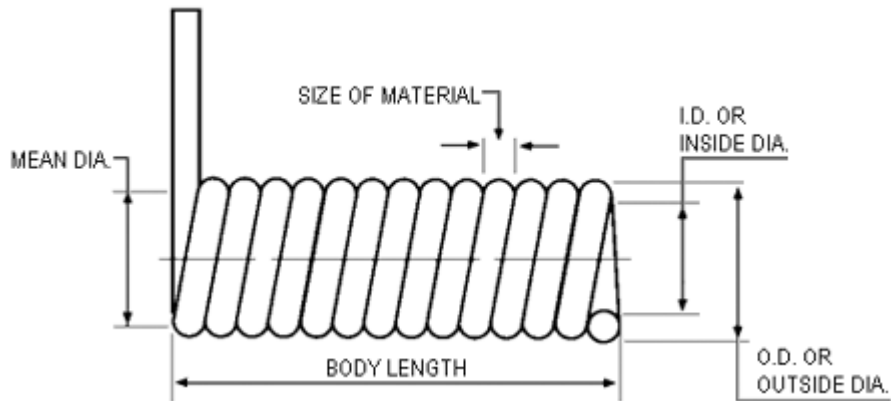


# Technical data sheet for torsion spring

## 1. Some definitions



**Type of legs**

Axial



Tangential



Radial

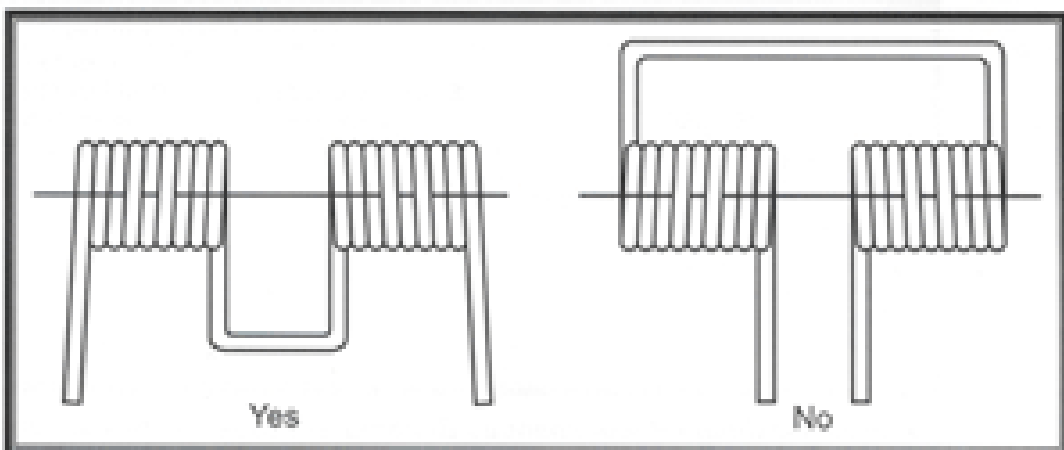
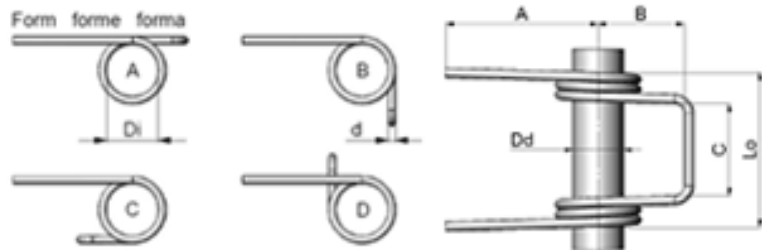


Radial/  
tangential



Conventions for describing relative leg orientation

**Simple torsion spring**



**2. Technical data to be provided by the client (if possible provide a drawing)**

<b><u>Paramètres</u></b>	<b><u>Code</u></b>	<b><u>A remplir</u></b>
Material quality : steel, Inox or other material		
Wire diameter (in millimeter)	(d)	mm
Outside diameter of the spring (in millimeter)	(OD)	mm
Total number of closed coils		
Body length (en millimètre)		mm
Leg length 1 (en millimètre)		mm
Leg length 2 (en millimètre)		mm
Type of leg (see above)		
Surface treatment : none or to be precised (zinc plating, chrome plating, ...)		